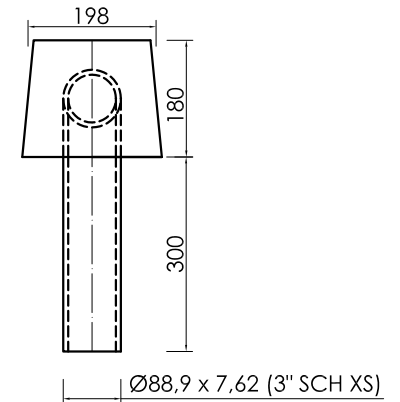
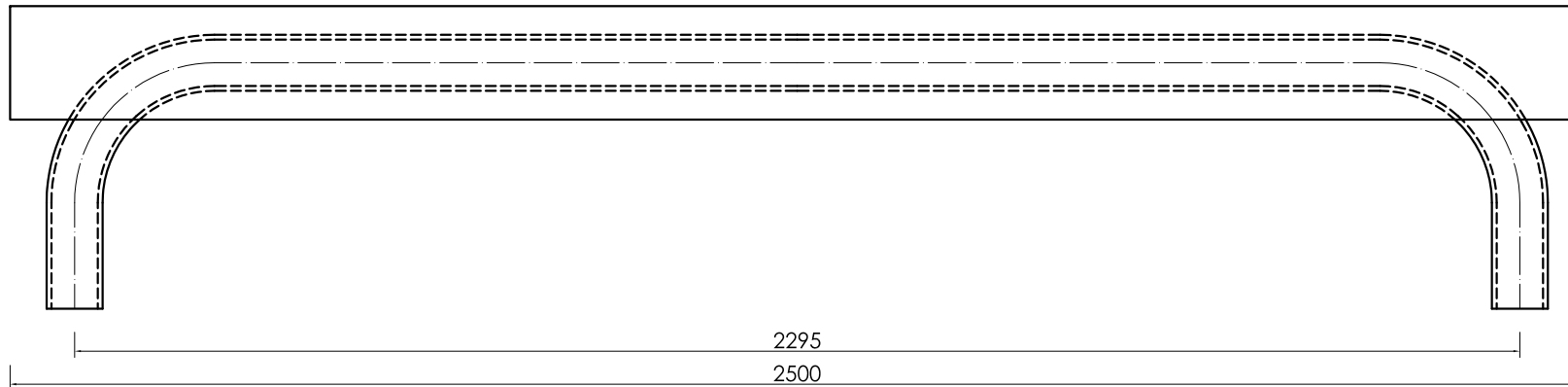


Aluminium Anode A-2500x198x180

gross weight: 246,00 kg
net weight: 202,00 kg



Technical specification AlZnIn - alloy type A2 according to EN12496:2013 :

Alloying elements:		Impurities:	
Zn [%]:	3,0 - 5,5	Fe [%]:	max 0,09
In [%]:	0,016 - 0,040	Cu [%]:	max 0,005
Al -	balance	Si [%]:	max 0,10

Electrochemical efficiency min: 2500 Ah/kg
according to DNV RP B401 test appendix B

Note:

- All weights and dimensions are nominal.
- Dimensions in mm

 MAKROMOR CATHODIC PROTECTION	MAKROMOR SP. Z O.O. Ul. Gołębia 15 81-185 Gdynia, POLAND Phone: +48 58 661-57-99 Fax: +48 58 661-01-89 e-mail: biuro@makromor.pl website: www.makromor.pl	Scale:	
		Insert type: API 5L gr. B	
	Alloy: AlZnIn	Alternative type:	
Type: ALUMINIUM ANODE A-2500x198x180		Drawing No.: A2500198180/0	
Product code: A2460/A2500198180/198/180/2500/2295/0			
Drawer: Łukasz Stabek	Date: 31-03-2016	Approved: Grzegorz Pryłowski	Date: 31-03-2016
Copyright MAKROMOR SP. Z O.O. All rights reserved.			