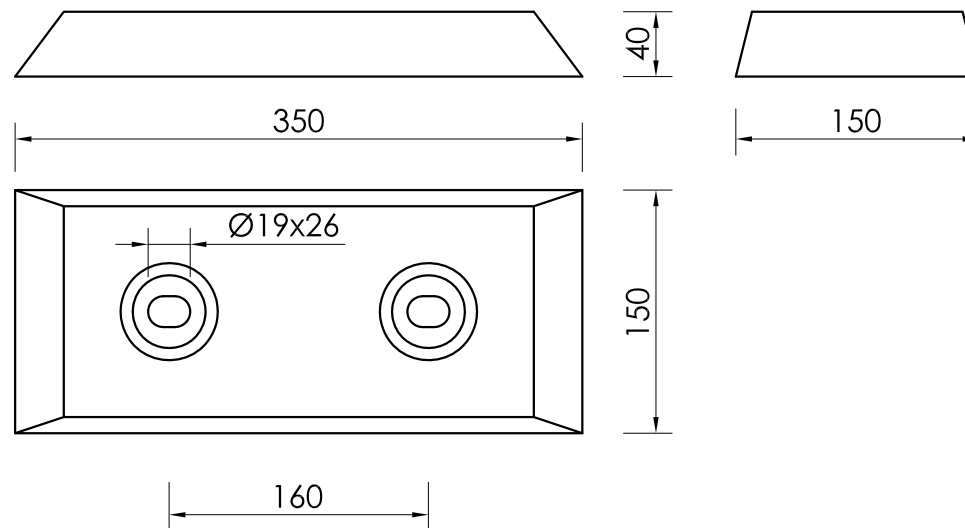


# Zinc Anode KP-2

gross weight: 12,00 kg  
net weight: 11,50 kg



Technical specification ZnAlCd - alloy type Z1 according to EN12496:2013 :

Alloying elements:

Al [%]: 0,10 - 0,50  
Cd [%]: 0,025 - 0,07  
Zn [%]: remainder

Impurities:

Fe [%]: max 0,005  
Cu [%]: max 0,005  
Pb [%]: max 0,006

Electrochemical efficiency min: 780 Ah/kg  
acc. DNV RP B401 test appendix B

Note:

- All weights and dimensions are nominal.
- Dimensions in mm

|  |   |                                 |                     |
|--|---|---------------------------------|---------------------|
|  <b>MAKROMOR</b><br>CATHODIC PROTECTION | MAKROMOR SP. Z O.O.<br>Ul. Gołębia 15<br>81-185 Gdynia, POLAND<br>Phone: +48 58 661-57-99<br>Fax: +48 58 661-01-89<br>e-mail: biuro@makromor.pl<br>website: www.makromor.pl | Scale:                          | <b>1:5</b>          |
|  |   | Insert type:                    | <b>S235JR</b>       |
| Type:<br><b>ZINC ANODE KP-2</b>  |   | Alloy:                          | <b>ZnAlCd</b>       |
| Product code:<br>A120/KP/150/40/350/160/0  |   | Alternative type:               |                     |
| Drawing No.:   |   | <b>ZKP2/0</b>                   |                     |
| Drawer:<br>Ewa Nawrocka  | Date:<br>03-04-2019   | Approved:<br>Grzegorz Prytowski | Date:<br>03-04-2019 |
| Copyright MAKROMOR SP. Z O.O. All rights reserved.   |   |                                 |                     |