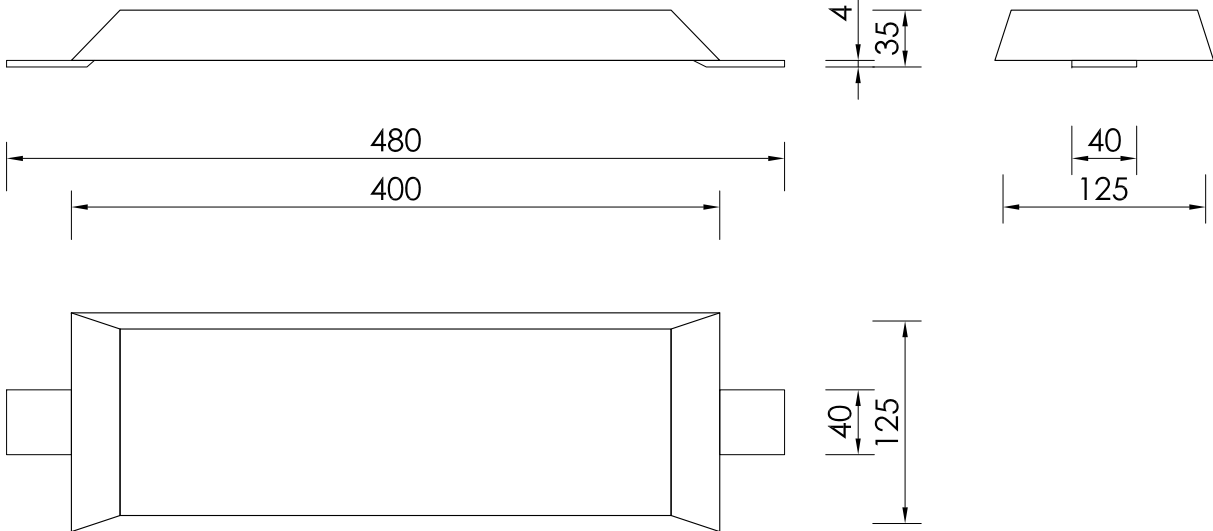


Aluminium ANODE K5-1

gross weight: 4,00 kg
 nett weight: 3,40 kg



Technical specification AlZnIn - alloy type A2 according to EN12496:2013 :

Alloying elements:		Impurities:	
Zn [%]:	3,0 - 5,5	Fe [%]:	max 0,09
In [%]:	0,016 - 0,040	Cu [%]:	max 0,005
Al -	balance	Si [%]:	max 0,10

Electrochemical efficiency min: 2500 Ah/kg
 according to DNV RP B401 test appendix B

Note:
 - All weights and dimensions are nominal.
 - Dimensions in mm

 MAKROMOR CATHODIC PROTECTION	MAKROMOR SP. Z O.O. Ul. Gołębia 15 81-185 Gdynia, POLAND Phone: +48 58 661-57-99 Fax: +48 58 661-01-89 e-mail: biuro@makromor.pl website: www.makromor.pl		Scale:	1:5
			Insert type:	S235JR
		Alloy:	AlZnIn	
Type:		ALUMINIUM HULL ANODE K5-1		Alternative type:
Product code:		A40/K5/125/35/400/480/0		Drawing No.:
		AK51/0		
Drawer:	Date:	Approved:	Date:	
Ewa Nawrocka	16-04-2013	Grzegorz Prytowski	17-04-2013	
Copyright MAKROMOR SP. Z O.O. All rights reserved.				