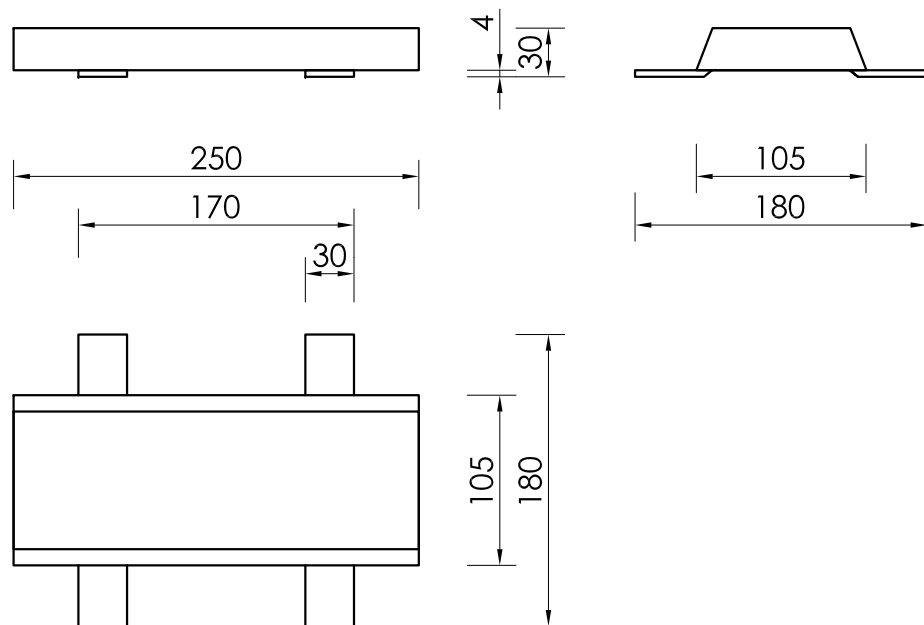


Zinc ANODE K2-2

gross weight: 5,50 kg

nett weight: 5,10 kg



Technical specification ZnAlCd - alloy type Z1 according to EN12496:2013 :

Alloying elements:

Al [%]: 0,10 - 0,50

Cd [%]: 0,025 - 0,07

Zn [%]: remainder

Impurities:

Fe [%]: max 0,005

Cu [%]: max 0,005

Pb [%]: max 0,006

Electrochemical efficiency min: 780 Ah/kg
acc. DNV RP B401 test appendix B

Note:

- All weights and dimensions are nominal.
- Dimensions in mm

 MAKROMOR CATHODIC PROTECTION	MAKROMOR SP. Z O.O. Ul. Gołębia 15 81-185 Gdynia, POLAND Phone: +48 58 661-57-99 Fax: +48 58 661-01-89 e-mail: biuro@makromor.pl website: www.makromor.pl		Scale:	1:5
	Type: ZINC HULL ANODE K2-2		Insert type:	S235JR
Product code: Z55/K2/105/30/250/170/0		Alloy:	ZnAlCd	
Drawer: Ewa Nawrocka		Date: 15-04-2013	Approved: Grzegorz Prytowski	Alternative type:
Date: 15-04-2013		Drawing No.:		ZK22/0
Date: 16-04-2013		Copyright MAKROMOR SP. Z O.O. All rights reserved.		