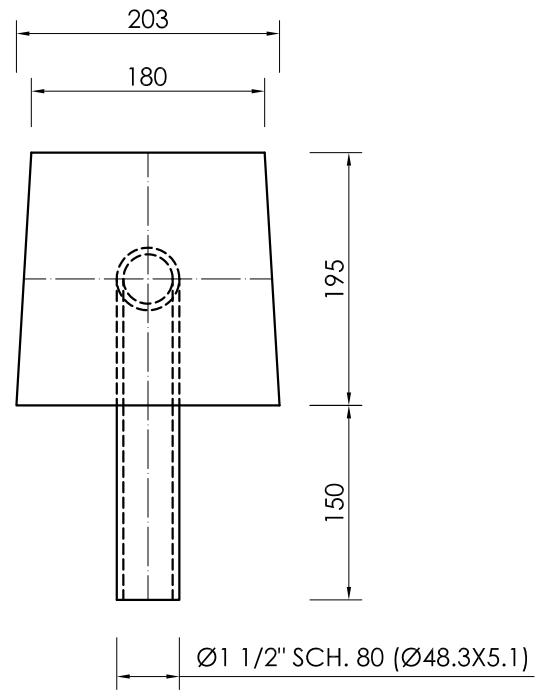
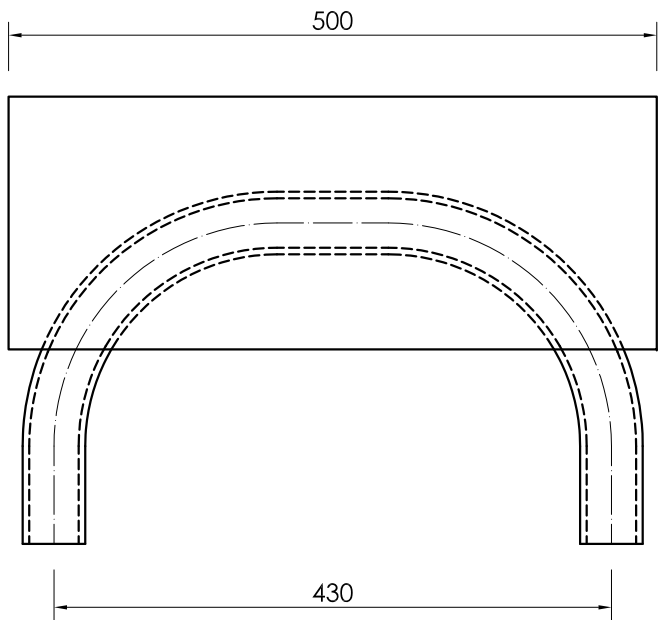


Aluminium Anode A-500x203x195

gross weight: 52,60 kg
net weight: 48,30 kg



Technical specification AlZnIn - alloy type A2 according to EN12496:2013 :

Alloying elements:		Impurities:	
Zn [%]:	3,0 - 5,5	Fe [%]:	max 0,09
In [%]:	0,016 - 0,040	Cu [%]:	max 0,005
Al -	balance	Si [%]:	max 0,10

Electrochemical efficiency min: 2500 Ah/kg
according to DNV RP B401 test appendix B

- Note:
- All weights and dimensions are nominal.
 - Dimensions in mm

 MAKROMOR CATHODIC PROTECTION	MAKROMOR SP. Z O.O. Ul. Gołębia 15 81-185 Gdynia, POLAND Phone: +48 58 661-57-99 Fax: +48 58 661-01-89 e-mail: biuro@makromor.pl website: www.makromor.pl	Scale:
		Insert type: API 5L gr. B
Type: ALUMINIUM ANODE A-500x203x195		Alloy: AlZnIn
Product code: A526/A500203195/203/195/500/430/0		Alternative type:
Drawer: Łukasz Stabek		Drawing No.: A500203195/0
Date: 05-11-2015	Approved: Grzegorz Pryłowski	Date: 05-11-2015
Copyright MAKROMOR SP. Z O.O. All rights reserved.		