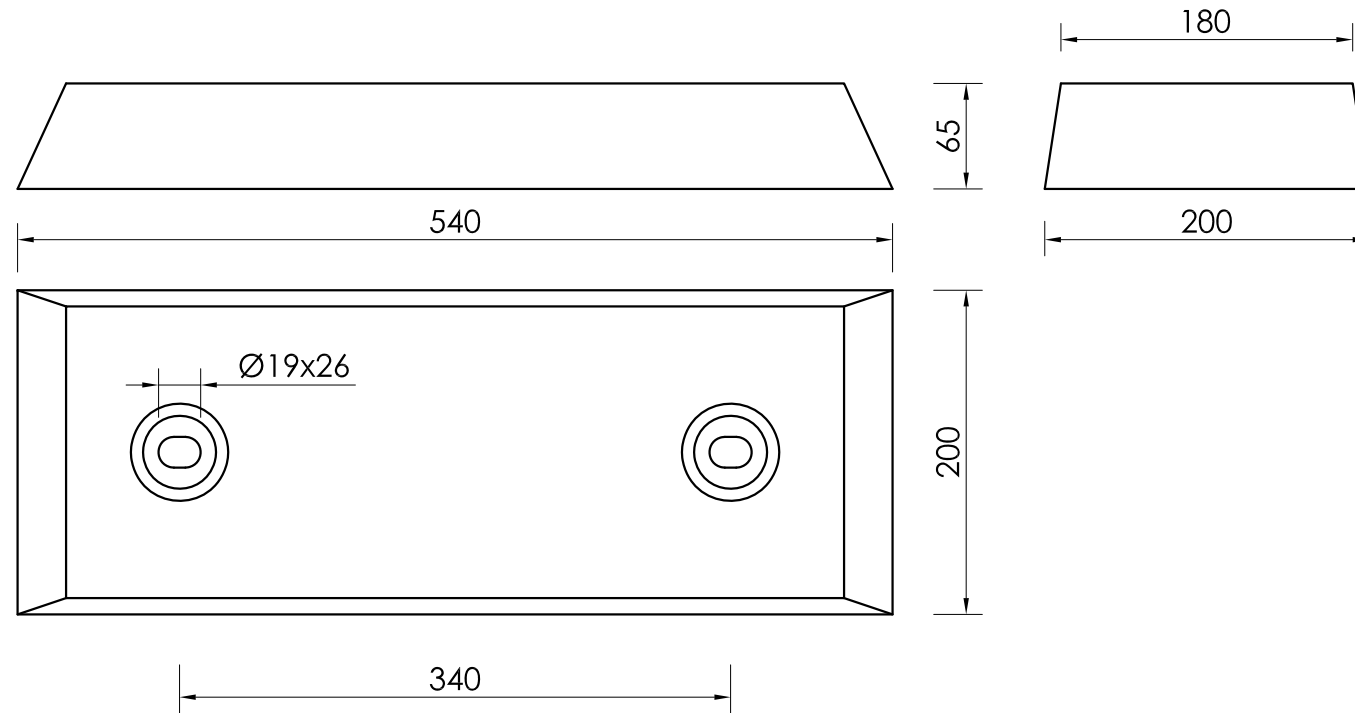


Zinc anode KP-6

gross weight: 41,30 kg
net weight: 40,50 kg



Technical specification ZnAlCd - alloy type Z1 according to EN12496:2013 :

Alloying elements:		Impurities:	
Al [%]: 0,10 - 0,50		Fe [%]:	max 0,005
Cd [%]: 0,025 - 0,07		Cu [%]:	max 0,005
Zn [%]: remainder		Pb [%]:	max 0,006

Electrochemical efficiency min: 780 Ah/kg
acc. DNV RP B401 test appendix B

Note:

- All weights and dimensions are nominal.
- Dimensions in mm

 MAKROMOR CATHODIC PROTECTION	MAKROMOR SP. Z O.O. Ul. Gołębia 15 81-185 Gdynia, POLAND Phone: +48 58 661-57-99 Fax: +48 58 661-01-89 e-mail: biuro@makromor.pl website: www.makromor.pl		Scale:	1:5
	Type: ZINC ANODE KP-6		Insert type:	S235JR
Product code: Z413/KP/200/65/540/340/0		Alloy:	ZnAlCd	
Drawer: Ewa Nawrocka		Date: 03-04-2019	Approved: Grzegorz Prytowski	Alternative type:
Date: 03-04-2019		Drawing No.:		ZKP6/0
Copyright MAKROMOR SP. Z O.O. All rights reserved.				