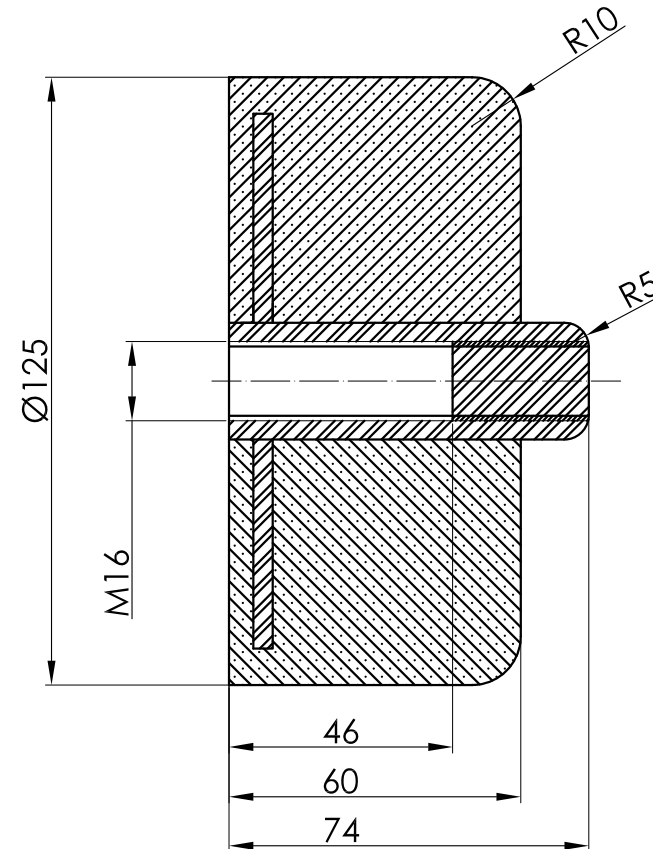
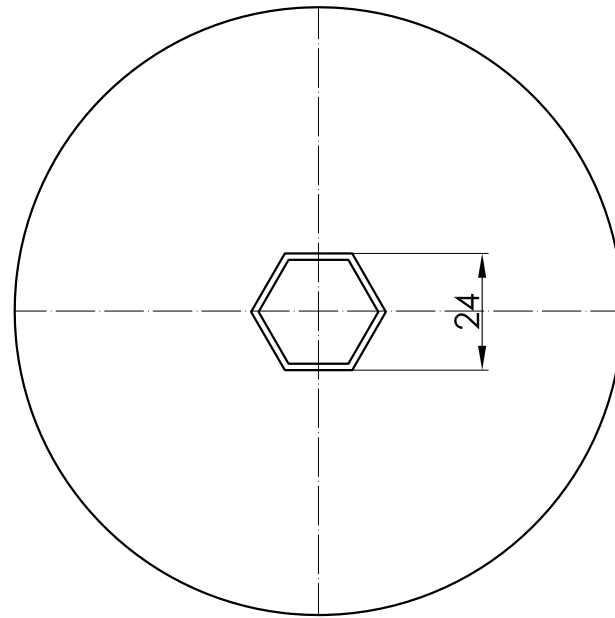


Zinc anode type Z-R125x60

gross weight: 5,30 kg
net weight: 4,95 kg



Notes:

- Bottom side of the anode and bushing protruding from the front side to be coated with epoxy paint >100 µm DFT
- Tolerances of manufacture, dimensions and weight according to PN-EN-12496:2013
- Hexagonal bushing with internal M16 thread. Threaded hole in the bushing to be closed by M16 lug, thread to be welded tight

 MAKROMOR CATHODIC PROTECTION	MAKROMOR SP. Z O.O. Ul. Golebia 15 81-185 Gdynia, POLAND Phone: +48 58 661-57-99 Fax: +48 58 661-01-89 e-mail: biuro@makromor.pl website: www.makromor.pl	Scale:
		Insert material: S355+S235
Type: Zinc Anode Z-R125x60		Alloy: ZnAlCd
Product code: Z53/ZR125X60/125/60/125/110/0		Alternative type:
Drawer: Łukasz Stabek	Date: 13-01-2015	Checked: Grzegorz Prytowski
Copyright MAKROMOR SP. Z O.O. All rights reserved.		Drawing No.: ZR125X60/2 Date: 13-01-2015